

TECHNICAL DATA



TYPE

Linear TRIP-PROOF LED luminaire for surface or suspended installations.

CHARACTERISTICS

Quick opening mechanism for cabling. Can be easily connected in series.

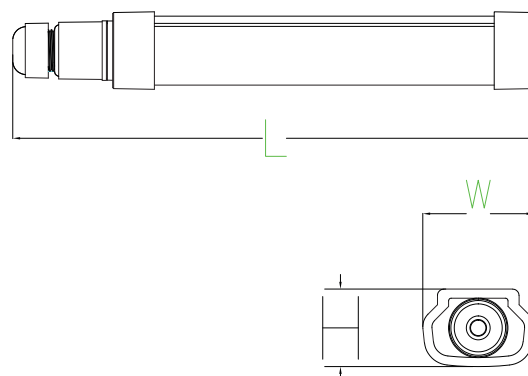
MATERIAL

Polycarbonate body; polycarbonate screen with internal photoetching for better light diffusion.

PRO	CRI ≥ 80	
IP65		100°
220-240V 50/60Hz		50000h L70

Model:	Trip Proof
Format:	Line
Location:	Exterior / Interior
Wattage:	60W
Materials:	Polycarbonate
Led Color:	3000K / 4000K / 6500K
Product Dimension:	83*58*1200mm
IP Code:	65
Fixation:	Surface
CRI :	80
Lumen Output:	3,300LM
Frequency:	50/60 Hz
Beam Angle:	100°

DIMENSION DRAW



OUTDOOR/INDOOR