

TECHNICAL DATA

TYPE

Professional LED, High efficacy, Up to 142 lm/w net.

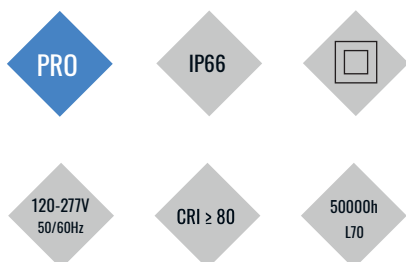
MATERIAL

Die-cast aluminum housing and tempered glass.

APPLICATIONS

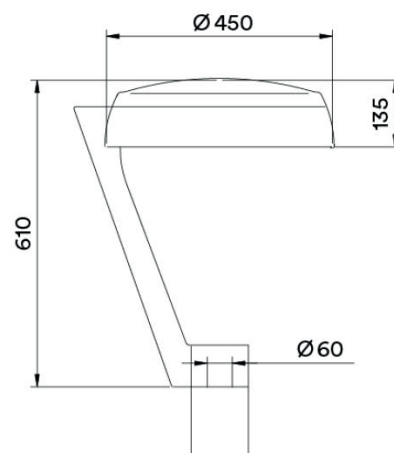
Can be used in:

- Urban and residential areas.
- Parks and green spaces.
- Maritime promenades.
- Pedestrian areas.
- Cycle lanes and <30km/h areas.



DIMENSION DRAW

Model:	Mivar
Format:	Round
Location:	Exterior
Wattage:	100W
Materials:	Aluminum
Led Color:	3000K / 4000K
Product Dimension:	450x450x610mm
IP Code:	66
Fixation:	Surface
CRI :	80
Lumen Output:	14,200LM
Frequency:	50/60 Hz
Net weight:	Luminaire: 8.16kgs Arm: 2.09kgs



OUTDOOR

